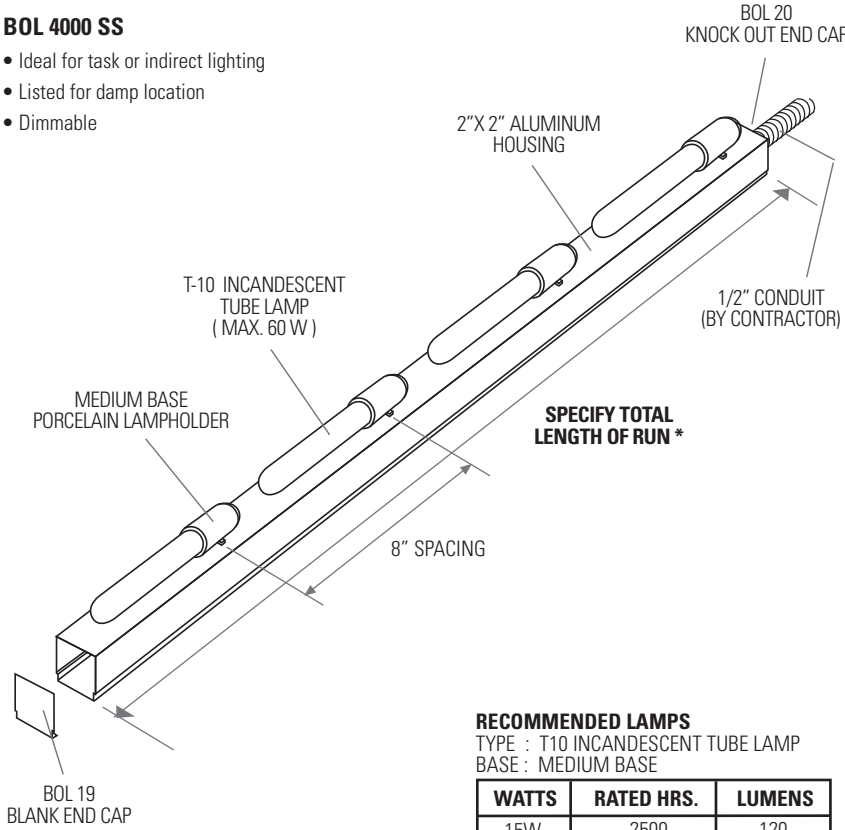




BOL 4000 SS

- Ideal for task or indirect lighting
- Listed for damp location
- Dimmable



SPECIFY TOTAL LENGTH OF RUN*

RECOMMENDED LAMPS

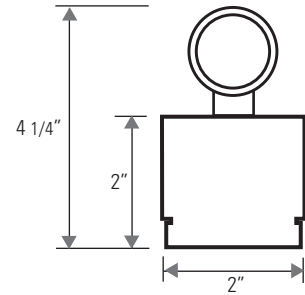
TYPE : T10 INCANDESCENT TUBE LAMP
BASE : MEDIUM BASE

WATTS	RATED HRS.	LUMENS
15W	2500	120
25W	1000	248
40W	1000	420

LAMPS NOT INCLUDED

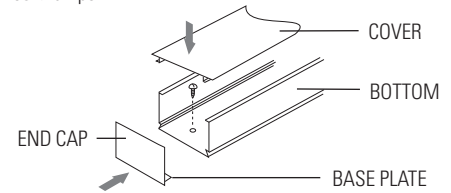
*MAXIMUM 10 FT. PER SECTION

END VIEW



QUICK REFERENCE INSTALLATION INSTRUCTIONS

1. Remove cover piece, using flathead screwdriver to pry open.
2. Screw mount bottom piece directly onto secure surface.
3. Snap cover piece into bottom piece.
4. To continue run, align and mount bottom piece of next section, end to end, then make electrical connections from cover piece to cover piece. Snap in cover.
5. Attach end caps at beginning and end of run, sliding base plate into bottom piece and securing with screw.
6. Connect lead wires at beginning of run to power source and ground. Do not power until installation is complete.
7. Insert lamps



S P E C I F I C A T I O N S

PRODUCT CODE	VOLTS	LAMP WATTAGE	LAMP SPACING		FINISH		RADIUS (See Radius Guide)		
			8" o.c.	8" on center	NAL	SAT	WHT	RCV	RMT
BOL 4000 SS	120 V	Select lamp wattage	8" o.c.	8" on center	NAL	SAT	WHT	RCV	RMT
					Or specify other		Leave blank for straight runs		

EXAMPLE

BOL 4000 SS	120V	25W	8" o.c.		NAL	
-------------	------	-----	---------	--	-----	--

FILL OUT BELOW FOR SUBMITTAL

BOL 4000 SS	120V		8" o.c.			
-------------	------	--	---------	--	--	--

PROJECT NAME	SPECIFIER
FIXTURE SCHED. TYPE	CONTRACTOR
QUANTITY	DISTRIBUTOR
LENGTHS	REPRESENTATIVE



visit us at :
www.celestiallighting.com
e-mail :
info @ celestiallighting.com

14009 Dinard Ave.
Santa Fe Springs,
CA 90670

PH (562)•802•8811
(800)•233•3563
FX (562)•802•2882