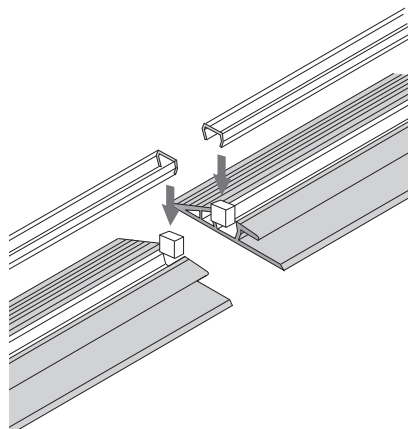


END PLUG



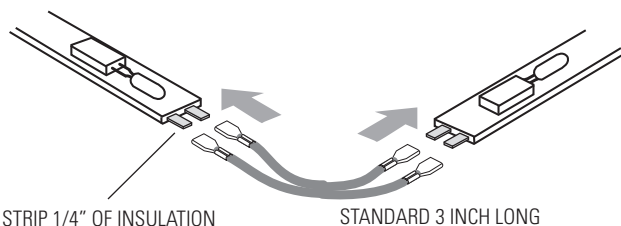
END PLUG
(EP)

The End Plug is used at the ends of lens covers in path lights in order to further protect the lightstrip from dust and spillage.

Order one End Plug for every 5 feet of path lighting.

Product Code	Total Quantity
(Eg.) EP	160 pcs.
EP	pcs.

CORNER CONNECTOR



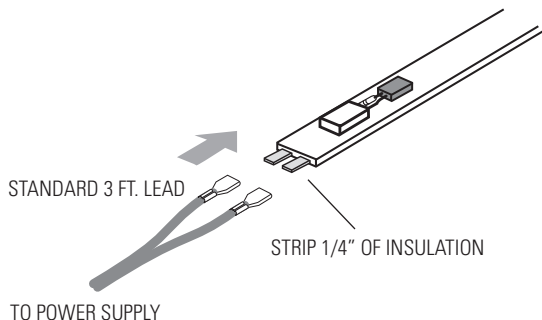
CORNER CONNECTOR
(CC)

The Corner Connector is used to continue power where path lights turn at a corner. It provides a quick and easy electrical connection of the lightstrips. Standard length is 3 inches.

Order one Corner Connector for every corner of path lighting.

Product Code	Total Quantity
(Eg.) CC	40 pcs.
CC	pcs.

POWER CONNECTOR



POWER CONNECTOR
(PC)

The Power Connector is used to connect the beginning of each run of path lighting to the power supply. Standard lead length is 3 feet. Contractors should provide additional lead if necessary.

Order one Power Connector for each circuit of path lighting. (Refer to pages for Power Supply, Wiring Diagram and Maximum Run Chart.)

Product Code	Total Quantity
(Eg.) PC	8 pcs.
PC	pcs.

• DRAWING NOT TO SCALE •



visit us at :
www.celestiallighting.com
e-mail :
info@celestiallighting.com

14009 Dinard Ave.
Santa Fe Springs,
CA 90670

PH (562)•802•8811
(800)•233•3563
FX (562)•802•2882