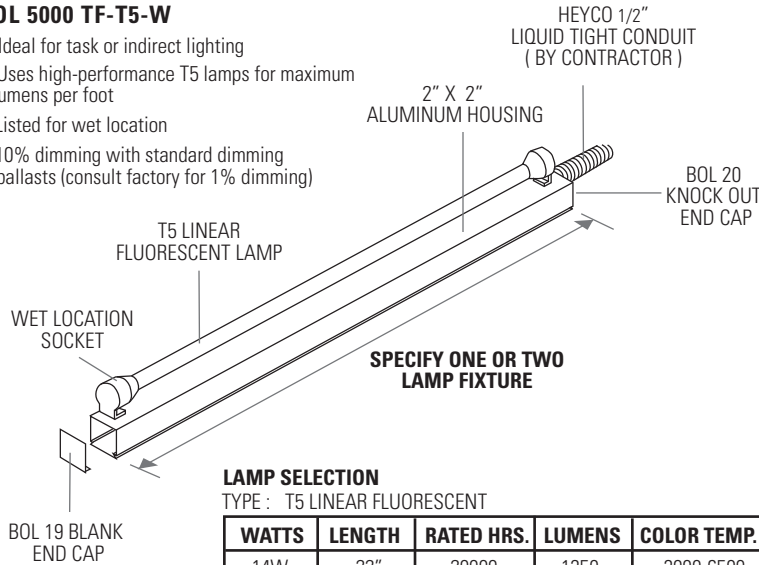




BOL 5000 TF-T5-W

- Ideal for task or indirect lighting
- Uses high-performance T5 lamps for maximum lumens per foot
- Listed for wet location
- 10% dimming with standard dimming ballasts (consult factory for 1% dimming)



LAMP SELECTION

TYPE : T5 LINEAR FLUORESCENT

WATTS	LENGTH	RATED HRS.	LUMENS	COLOR TEMP.	CRI
14W	22"	20000	1350	3000-6500	85
21W	34"	20000	2100	3000-6500	85
28W	46"	20000	2900	3000-6500	85
35W	58"	20000	3650	3000-6500	85

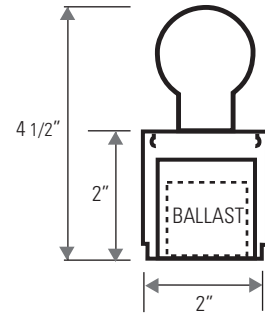
TYPE : T5 HIGH OUTPUT LINEAR FLUORESCENT

WATTS	LENGTH	RATED HRS.	LUMENS	COLOR TEMP.	CRI
24W	22"	20000	2000	3000-6500	85
39W	34"	20000	3500	3000-6500	85
54W	46"	20000	5000	3000-6500	85

Refer to lamp manufacturers' catalog for full selection and details.

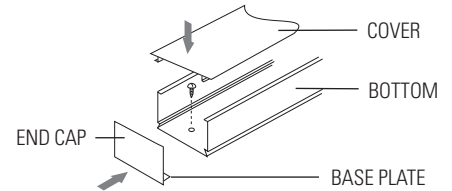
LAMPS NOT INCLUDED

END VIEW



QUICK REFERENCE INSTALLATION INSTRUCTIONS

1. Remove cover piece, using flathead screwdriver to pry open.
2. Screw mount bottom piece directly onto secure surface.
3. Snap cover piece into bottom piece.
4. To continue run, align and mount bottom piece of next section, end to end, and make electrical connections. Snap in cover piece.
5. Attach end caps at beginning and end of run, sliding base plate into bottom piece and securing with screw.
6. Connect lead wires at beginning of run to power source and ground. Do not power until installation complete.
7. Insert lamps.



S P E C I F I C A T I O N S

PRODUCT CODE	LAMP WATTAGE	LAMPS PER FIXTURE & LENGTHS		BALLAST LOCATION	BALLAST TYPE		DIMMING		VOLTS	FINISH					
		1 Lamp (1L)	2 Lamps (2L)		ELE	Electronic	ND	DM		SAT	WHT				
BOL 5000 TF-T5-W	14W	23.5"	46.5"	I	Integral	ELE	Electronic	ND	Non-dimming	120 V	SAT	Anodized satin			
	21W	35.5"	70.5"					DM	Dimming*				277 V	WHT	High reflectance white powder coat
	28W	47.0"	94.0"					*Available for 24W, 39W, 54W							
	35W	59.0"	117.5"												
	24W HO	23.5"	46.5"												
	39W HO	35.5"	70.5"												
54W HO	47.0"	94.0"													

EXAMPLE

BOL 5000 TF-T5-W	28 W	1L	I	ELE	ND	120 V	SAT
------------------	------	----	---	-----	----	-------	-----

FILL OUT BELOW FOR SUBMITTAL

BOL 5000 TF-T5-W			I	ELE			
------------------	--	--	---	-----	--	--	--

PROJECT NAME	SPECIFIER
FIXTURE SCHED. TYPE	CONTRACTOR
QUANTITY	DISTRIBUTOR
LENGTHS	REPRESENTATIVE



visit us at :
www.celestiallighting.com
e-mail :
info@celestiallighting.com

14009 Dinard Ave.
Santa Fe Springs,
CA 90670

PH (562)•802•8811
(800)•233•3563
FX (562)•802•2882