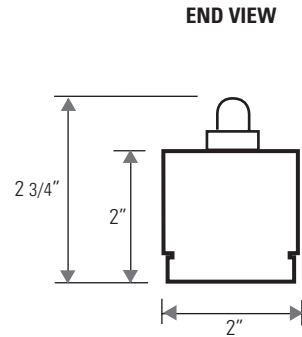
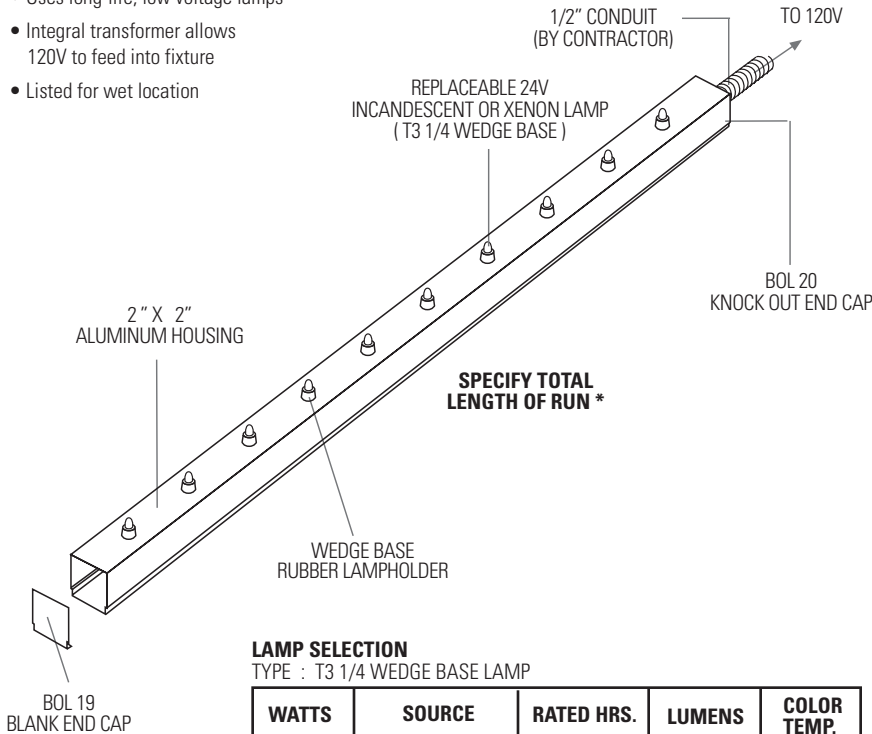




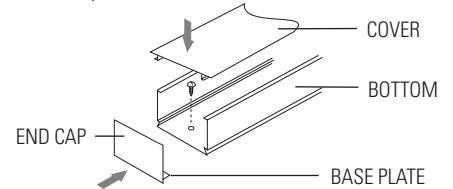
### BOL 6000 WB

- Ideal for linear lighting
- Uses long-life, low voltage lamps
- Integral transformer allows 120V to feed into fixture
- Listed for wet location



### QUICK REFERENCE INSTALLATION INSTRUCTIONS

1. Remove cover piece, using flathead screwdriver to pry open.
2. Screw mount bottom piece directly onto secure surface.
3. Snap cover piece into bottom piece.
4. To continue run, align and mount bottom piece of next section, end to end, then make electrical connections from cover piece to cover piece. Snap in cover.
5. Attach end caps at beginning and end of run, sliding base plate into bottom piece and securing with screw.
6. Connect lead wires at beginning of run to power source and ground. Do not power until installation is complete.
7. Insert lamps



### LAMP SELECTION

TYPE : T3 1/4 WEDGE BASE LAMP

WATTS	SOURCE	RATED HRS.	LUMENS	COLOR TEMP.
4.5W	INCANDESCENT	42,000 HRS.	22	2200 K
5.4W	XENON	13,000 HRS.	32	2400 K

LAMPS INCLUDED / TRANSFORMER SOLD SEPARATELY

\* MAXIMUM 10 FT. PER SECTION

## SPECIFICATIONS

PRODUCT CODE	LAMP WATTAGE	LAMP SPACING		FINISH		WET LOCATION		RADIUS (See Radius Guide)	
		2" o.c.	2" on center	SAT	Anodized satin	W	Wet location	RCV	Factory curved to radius
BOL 6000 WB	Select lamp wattage	3" o.c.	3" on center	PAL	Polished aluminum			RMT	Factory mitered to radius
		4" o.c.	4" on center	GLD	Polished gold				Leave blank for straight runs
		6" o.c.	6" on center	BLK	Black powder coat		Leave blank for damp location		
			Specify other	WHT	White powder coat				
					Or specify other				

### EXAMPLE

BOL 6000 WB	-	4.5 W	-	6" o.c.	-	SAT	-	W	-	
-------------	---	-------	---	---------	---	-----	---	---	---	--

### FILL OUT BELOW FOR SUBMITTAL

BOL 6000 WB	-		-		-		-		-	
-------------	---	--	---	--	---	--	---	--	---	--

PROJECT NAME	SPECIFIER
FIXTURE SCHED. TYPE	CONTRACTOR
QUANTITY	DISTRIBUTOR
LENGTHS	REPRESENTATIVE



visit us at :  
www.celestiallighting.com  
e-mail :  
info@celestiallighting.com

14009 Dinard Ave.  
Santa Fe Springs,  
CA 90670

PH (562)•802•8811  
(800)•233•3563  
FX (562)•802•2882