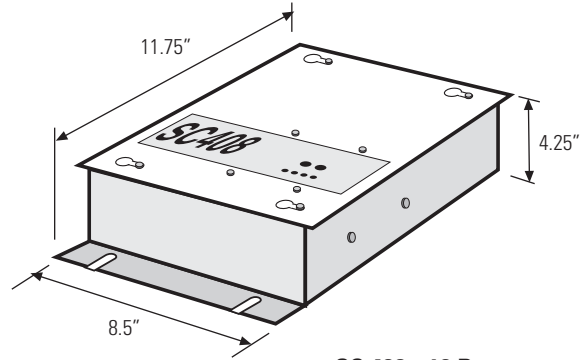
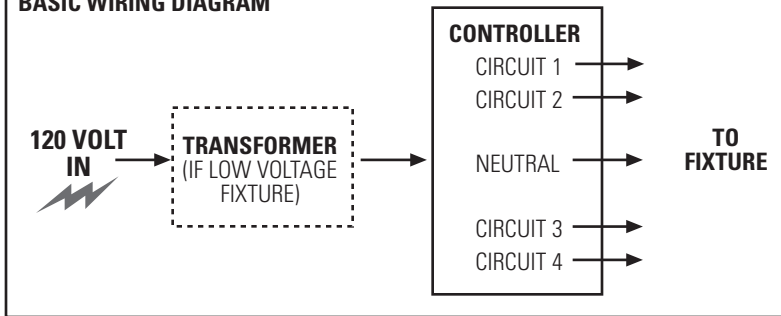


MC 408 - 16P



SC 408 - 16 P

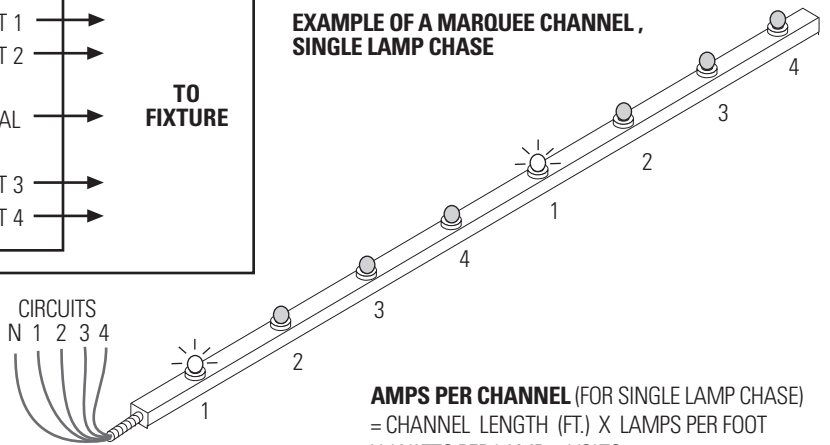
BASIC WIRING DIAGRAM



CONSULT FACTORY FOR :

- PC CONTROL
- DMX-512
- CROSS FADERS
- CUSTOM CONTROLLER APPLICATIONS

EXAMPLE OF A MARQUEE CHANNEL, SINGLE LAMP CHASE



CUSTOM SPECIFICATIONS

PRODUCT CODE	VOLTS	MAX. RUN PER CIRCUIT (SINGLE LAMP CHASE)	MAX. RUN PER CIRCUIT (MULTIPLE LAMP CHASE)	FEATURES
MC 408-16P	12V, 24V, 120V	7 AMPS	2.5 AMPS	SPEED CONTROL 16 PATTERNS
SC 408-16P	12V, 24V, 120V	16 AMPS	8 AMPS	SPEED CONTROL, 16 PATTERNS, SUITABLE FOR LED, ALLOWS ADDITIONAL SLAVE UNITS FOR LARGER LOADS

FILL OUT BELOW FOR SUBMITTAL

PRODUCT CODE	QUANTITY	PRODUCT CODE	QUANTITY
MC 408-16P-12V		SC 408-16P-12V	
MC 408-16P-24V		SC 408-16P-24V	
MC 408-16P-120V		SC 408-16P-120V	

PROJECT NAME	CONTRACTOR
FIXTURE SCHED. TYPE	DISTRIBUTOR
SPECIFIER	REPRESENTATIVE



visit us at :
www.celestiallighting.com
e-mail :
info@celestiallighting.com

14009 Dinard Ave.
Santa Fe Springs,
CA 90670

PH (562)•802•8811
(800)•233•3563
FX (562)•802•2882