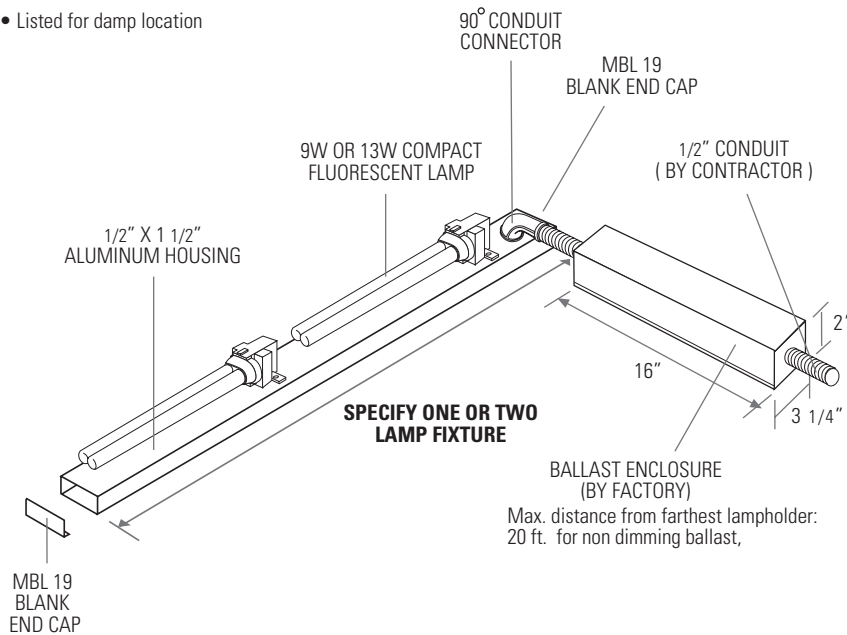




MBL 5000 CF

- Ideal for indirect lighting in limited spaces
- Listed for damp location



SPECIFY ONE OR TWO LAMP FIXTURE

BALLAST ENCLOSURE (BY FACTORY)
Max. distance from farthest lampholder: 20 ft. for non dimming ballast,

LAMP SELECTION

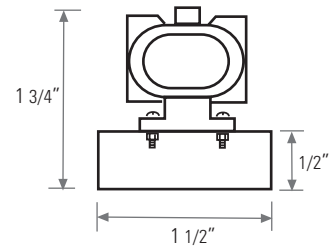
TYPE : COMPACT FLUORESCENT
BRANDS : OSRAM "DULUX-S/E"

WATTS	LENGTH	BASE	RATED HRS.	LUMENS	COLOR TEMP.	CRI
9W (4 PIN)	5.7"	2G7	10000	580	2700-4100	82
13W (4 PIN)	6.2"	2GX7	10000	820	2700-4100	82

Refer to manufacturers' catalog for full selection and details.

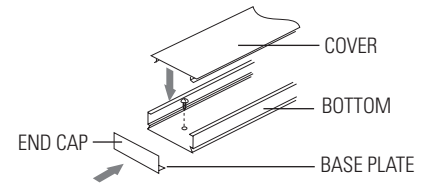
LAMPS NOT INCLUDED

END VIEW



QUICK REFERENCE INSTALLATION INSTRUCTIONS

1. Remove cover piece, using flathead screwdriver to pry open.
2. Screw mount bottom piece directly onto secure surface.
3. Snap cover piece into bottom piece.
4. Attach end caps at beginning and end of run, sliding base plate into bottom piece and securing with screw.
5. Connect lead wires from ballast to power source and ground. Do not power until installation complete.
6. Insert lamps.



S P E C I F I C A T I O N S

PRODUCT CODE	LAMP WATTAGE	LAMPS PER FIXTURE & LENGTHS		BALLAST LOCATION	BALLAST TYPE		DIMMING		VOLTS	FINISH		
		1 Lamp (1L)	2 Lamps (2L)		ELE	Electronic	ND	Non-dimming		NAL	Natural aluminum	
MBL 5000 CF	9 W	10"	18"	R Remote	ELE	Electronic	ND	Non-dimming	120 V 277 V	SAT	Anodized satin	
	13 W	10"	18"							WHT	High reflectance white powder coat	
												Or specify other

EXAMPLE

MBL 5000 CF	9 W	2L	R	ELE	ND	120V	NAL
-------------	-----	----	---	-----	----	------	-----

FILL OUT BELOW FOR SUBMITTAL

MBL 5000 CF			R	ELE			
-------------	--	--	---	-----	--	--	--

PROJECT NAME	SPECIFIER
FIXTURE SCHED. TYPE	CONTRACTOR
QUANTITY	DISTRIBUTOR
LENGTHS	REPRESENTATIVE



visit us at :
www.celestiallighting.com
e-mail :
info@celestiallighting.com

14009 Dinard Ave.
Santa Fe Springs,
CA 90670

PH (562)•802•8811
(800)•233•3563
FX (562)•802•2882