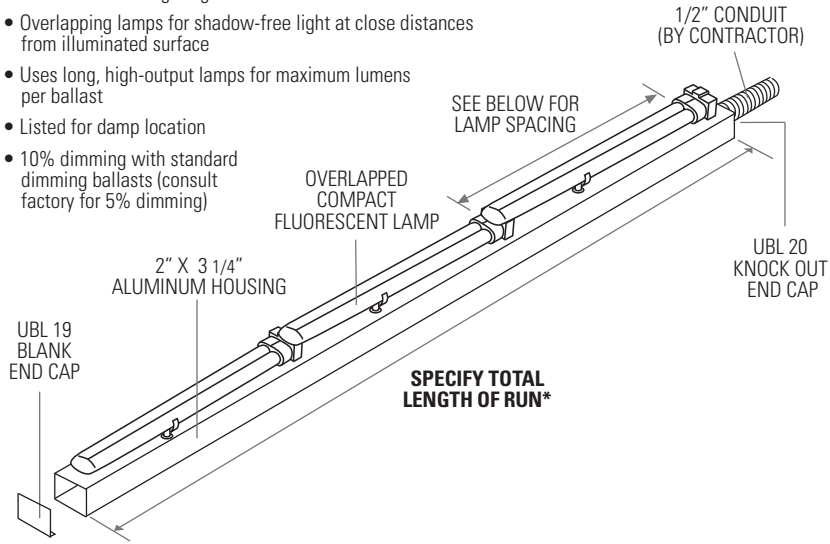




UBL 5000 BXO

- Ideal for indirect lighting
- Overlapping lamps for shadow-free light at close distances from illuminated surface
- Uses long, high-output lamps for maximum lumens per ballast
- Listed for damp location
- 10% dimming with standard dimming ballasts (consult factory for 5% dimming)



SPECIFY TOTAL LENGTH OF RUN*

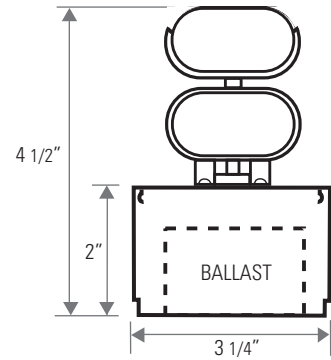
LAMP SELECTION

TYPE : COMPACT FLUORESCENT
BRANDS : GE "HIGH LUMEN BIAx," PHILIPS "PL-L," OSRAM "DULUX-L"

WATTS	LENGTH	BASE	RATED HRS.	LUMENS	COLOR TEMP.	CRI
18W	10.5"	2G11	12000-20000	1160-1250	3000-6500	82
27W/24W	12.8"	2G11	12000	1800	3000-4100	82
39W/36W	16.5"	2G11	12000	2850-2900	3000-4100	82
40W	22.5"	2G11	20000	2900-3300	3000-5000	82
50W	22.5"	2G11	14000	4000-4300	3000-4100	82

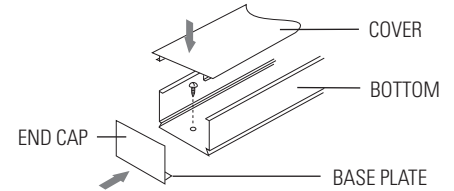
*MAXIMUM 10 FT. PER SECTION Refer to manufacturers' catalog for full selection and details.
LAMPS NOT INCLUDED

END VIEW



QUICK REFERENCE INSTALLATION INSTRUCTIONS

1. Remove cover piece, using flathead screwdriver to pry open.
2. Screw mount bottom piece directly onto secure surface.
3. Snap cover piece into bottom piece.
4. To continue run, align and mount bottom piece of next section, end to end, and make electrical connections. Snap in cover piece.
5. Attach end caps at beginning and end of run, sliding base plate into bottom piece and securing with screw.
6. Connect lead wires at beginning of run to power source and ground. Do not power until installation complete.
7. Insert lamps.



SPECIFICATIONS

PRODUCT CODE	LAMP WATTAGE & SPACING		BALLAST LOCATION	BALLAST TYPE		DIMMING		VOLTS	FINISH					
	Watts	Spacing		ELE	Electronic	ND	DM		NAL	SAT	WHT			
UBL 5000 BXO	18W	9" on center	I	Integral	ELE	Electronic	ND	Non-dimming	120 V	NAL	Natural aluminum			
	27W / 24W	11" on center					DM			Dimming*		277 V	SAT	Anodized satin
	39W / 36W	15" on center											High reflectance white powder coat	
	40W	20" on center												
	50W	20" on center												
				Or specify other										

EXAMPLE

UBL 5000 BXO	40 W	20" o.c.	I	ELE	ND	120V	NAL
--------------	------	----------	---	-----	----	------	-----

FILL OUT BELOW FOR SUBMITTAL

UBL 5000 BXO			I	ELE			
--------------	--	--	---	-----	--	--	--

PROJECT NAME	SPECIFIER
FIXTURE SCHED. TYPE	CONTRACTOR
QUANTITY	DISTRIBUTOR
LENGTHS	REPRESENTATIVE



visit us at :
www.celestiallighting.com
e-mail :
info@celestiallighting.com

14009 Dinard Ave.
Santa Fe Springs,
CA 90670

PH (562)•802•8811
(800)•233•3563
FX (562)•802•2882