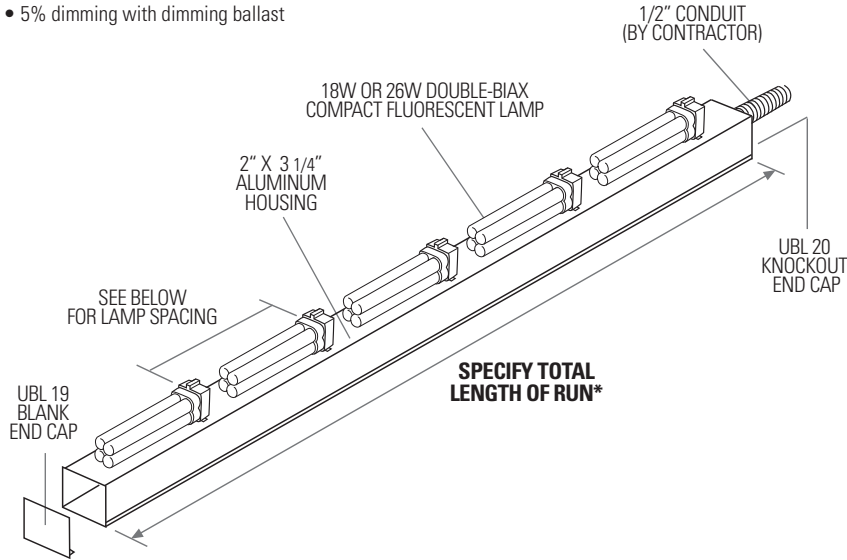




UBL 5000 CF-DBX

- Ideal for indirect lighting
- Uses clustered compact fluorescent lamps for maximum lumens per foot
- Listed for damp location
- 5% dimming with dimming ballast

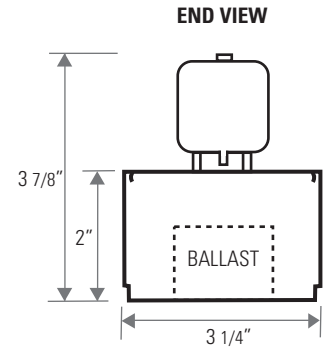


LAMP SELECTION

TYPE : COMPACT FLUORESCENT
BRANDS : GE "DOUBLE BIAx," PHILIPS "PL-C," OSRAM "DULUX-D/E"

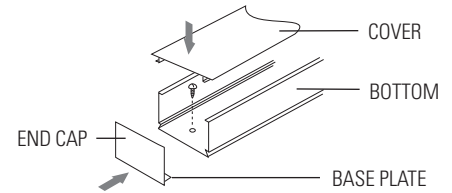
WATTS	LENGTH	BASE	RATED HRS.	LUMENS	COLOR TEMP.	CRI
18W	5.8"	G24q-2	10000-12000	1150-1250	2700-4100	82
26W	6.4"	G24q-3	10000-12000	1710-1800	2700-4100	82

*MAXIMUM 10 FT. PER SECTION. Refer to lamp manufacturers' catalog for full selection and details.
LAMPS NOT INCLUDED



QUICK REFERENCE INSTALLATION INSTRUCTIONS

1. Remove cover piece, using flathead screwdriver to pry open.
2. Screw mount bottom piece directly onto secure surface.
3. Snap cover piece into bottom piece.
4. To continue run, align and mount bottom piece of next section, end to end, and make electrical connections. Snap in cover piece.
5. Attach end caps at beginning and end of run, sliding base plate into bottom piece and securing with screw.
6. Connect lead wires at beginning of run to power source and ground. Do not power until installation complete.
7. Insert lamps.



SPECIFICATIONS

PRODUCT CODE	LAMP WATTAGE & SPACING		BALLAST LOCATION		BALLAST TYPE		DIMMING		VOLTS	FINISH	
	Watts	Spacing	I	Integral	ELE	Electronic	ND	DM		NAL	SAT
UBL 5000 CF - DBX	18 W	8" on center	I	Integral	ELE	Electronic	ND	Non-dimming	120 V 277 V	NAL	Natural aluminum
	26 W	9" on center					DM	Dimming		SAT	Anodized satin
										WHT	High reflectance white powder coat
											Or specify other

EXAMPLE

UBL 5000 CF - DBX	-	18 W	-	8" o.c.	-	I	-	ELE	-	ND	-	120V	-	NAL
-------------------	---	------	---	---------	---	---	---	-----	---	----	---	------	---	-----

FILL OUT BELOW FOR SUBMITTAL

UBL 5000 CF - DBX	-		-		-	I	-	ELE	-		-		-	
-------------------	---	--	---	--	---	---	---	-----	---	--	---	--	---	--

PROJECT NAME	SPECIFIER
FIXTURE SCHED. TYPE	CONTRACTOR
QUANTITY	DISTRIBUTOR
LENGTHS	REPRESENTATIVE



visit us at :
www.celestiallighting.com
e-mail :
info@celestiallighting.com

14009 Dinard Ave.
Santa Fe Springs,
CA 90670

PH (562)•802•8811
(800)•233•3563
FX (562)•802•2882