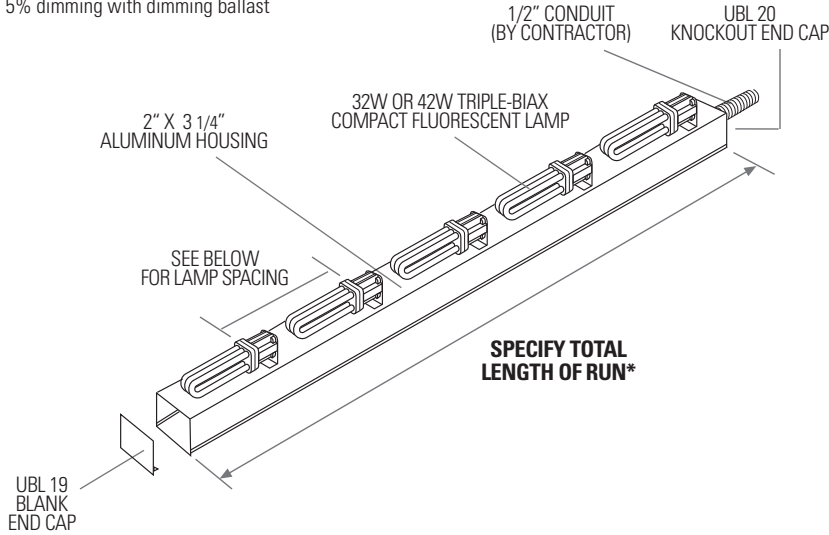




UBL 5000 CF-TBX

- Ideal for indirect lighting
- Uses clustered compact fluorescent lamps for maximum lumens per foot
- Listed for damp location
- 5% dimming with dimming ballast



SPECIFY TOTAL LENGTH OF RUN*

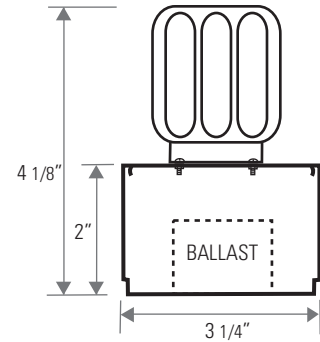
LAMP SELECTION

TYPE : COMPACT FLUORESCENT
BRANDS : GE "TRIPLE BIAx," PHILIPS "PL-T," OSRAM "DULUX-T/E"

| WATTS | LENGTH | BASE | RATED HRS. | LUMENS | COLOR TEMP. | CRI |
|-------|--------|---------|-------------|-----------|-------------|-----|
| 32W | 5.5" | GX24q-3 | 10000-12000 | 2200-2400 | 2700-4100 | 82 |
| 42W | 6.4" | GX24q-4 | 10000-12000 | 3200 | 2700-4100 | 82 |

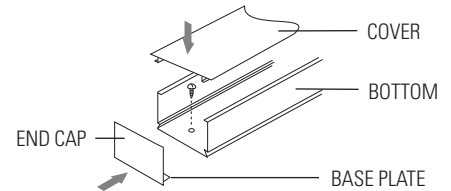
*MAXIMUM 10 FT. PER SECTION Refer to lamp manufacturers' catalog for full selection and details.
LAMPS NOT INCLUDED

END VIEW



QUICK REFERENCE INSTALLATION INSTRUCTIONS

1. Remove cover piece, using flathead screwdriver to pry open.
2. Screw mount bottom piece directly onto secure surface.
3. Snap cover piece into bottom piece.
4. To continue run, align and mount bottom piece of next section, end to end, and make electrical connections. Snap in cover piece.
5. Attach end caps at beginning and end of run, sliding base plate into bottom piece and securing with screw.
6. Connect lead wires at beginning of run to power source and ground. Do not power until installation complete.
7. Insert lamps.



S P E C I F I C A T I O N S

| PRODUCT CODE | LAMP WATTAGE & SPACING | | BALLAST LOCATION | | BALLAST TYPE | | DIMMING | | VOLTS | FINISH | |
|-------------------|------------------------|--------------|------------------|----------|--------------|------------|---------|-------------|----------------|--------|------------------------------------|
| | Watts | Spacing | I | Integral | ELE | Electronic | ND | DM | | NAL | SAT |
| UBL 5000 CF - TBX | 32 W | 8" on center | I | Integral | ELE | Electronic | ND | Non-dimming | 120 V 277 V | NAL | Natural aluminum |
| | 42 W | 9" on center | | | | | DM | Dimming | | SAT | Anodized satin |
| | | | | | | | | | | WHT | High reflectance white powder coat |
| | | | | | | | | | | | Or specify other |

EXAMPLE

| | | | | | | | |
|-------------------|------|---------|---|-----|----|------|-----|
| UBL 5000 CF - TBX | 32 W | 8" o.c. | I | ELE | ND | 120V | NAL |
|-------------------|------|---------|---|-----|----|------|-----|

FILL OUT BELOW FOR SUBMITTAL

| | | | | | | | |
|-------------------|--|--|---|-----|--|--|--|
| UBL 5000 CF - TBX | | | I | ELE | | | |
|-------------------|--|--|---|-----|--|--|--|

| | |
|----------------------------|-----------------------|
| PROJECT NAME | SPECIFIER |
| FIXTURE SCHED. TYPE | CONTRACTOR |
| QUANTITY | DISTRIBUTOR |
| LENGTHS | REPRESENTATIVE |



visit us at :
www.celestiallighting.com
e-mail :
info@celestiallighting.com

14009 Dinard Ave.
Santa Fe Springs,
CA 90670

PH (562)•802•8811
(800)•233•3563
FX (562)•802•2882