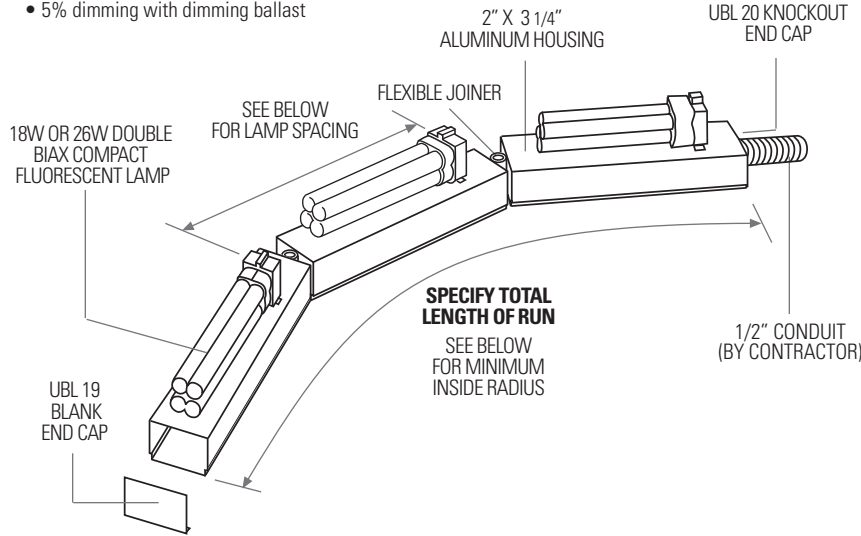




### UBL 5000 CFX-DBX

- Ideal for indirect lighting in curved spaces
- Uses clustered compact fluorescent lamps for maximum lumens per foot
- Listed for damp location
- 5% dimming with dimming ballast



#### LAMP SELECTION

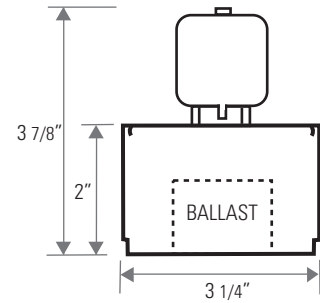
TYPE : COMPACT FLUORESCENT  
 BRANDS : GE "DOUBLE BIAx," PHILIPS "PL-C," OSRAM "DULUX-D/E"

WATTS	LENGTH	BASE	RATED HRS.	LUMENS	COLOR TEMP.	CRI
18W	5.8"	G24q-2	10000-12000	1150-1250	2700-4100	82
26W	6.4"	G24q-3	10000-12000	1710-1800	2700-4100	82

Refer to lamp manufacturers' catalog for full selection and details.

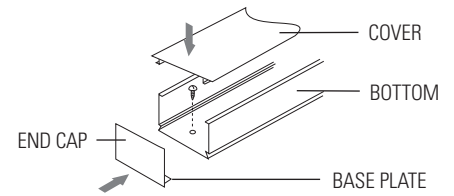
**LAMPS NOT INCLUDED**

#### END VIEW



#### QUICK REFERENCE INSTALLATION INSTRUCTIONS

1. Remove cover piece from module, by removing screws and using flathead screwdriver to pry open.
2. Screw mount bottom piece directly onto secure surface.
3. Snap cover piece into bottom piece and replace screws.
4. To continue run, attach and mount next module and make electrical connections.
5. Attach end caps at beginning and end of run, sliding base plate into bottom piece and securing with screw.
6. Connect lead wires at beginning of run to power source and ground. Do not power until installation complete.
7. Insert lamps.



## SPECIFICATIONS

PRODUCT CODE	LAMP WATTAGE & SPACING		BALLAST LOCATION	BALLAST TYPE		DIMMING		VOLTS	FINISH		
	WATTS	SPACING		ELE	TYPE	ND	DM		NAL	SAT	WHT
UBL 5000 CFX-DBX	18 W	8" on center (19" minimum inside radius)	I	Integral	ELE	Electronic	ND	Non-dimming	120 V	NAL	Natural aluminum
	26 W	9" on center (21" minimum inside radius)								SAT	Anodized satin
										WHT	High reflectance white powder coat
											Or specify other

**EXAMPLE**

UBL 5000 CFX-DBX	-	18 W	-	8" o.c.	-	I	-	ELE	-	ND	-	120V	-	NAL
------------------	---	------	---	---------	---	---	---	-----	---	----	---	------	---	-----

**FILL OUT BELOW FOR SUBMITTAL**

UBL 5000 CFX-DBX	-		-		-	I	-	ELE	-		-		-	
------------------	---	--	---	--	---	---	---	-----	---	--	---	--	---	--

<b>PROJECT NAME</b>	<b>SPECIFIER</b>
<b>FIXTURE SCHED. TYPE</b>	<b>CONTRACTOR</b>
<b>QUANTITY</b>	<b>DISTRIBUTOR</b>
<b>LENGTHS</b>	<b>REPRESENTATIVE</b>



visit us at :  
[www.celestiallighting.com](http://www.celestiallighting.com)  
 e-mail :  
[info@celestiallighting.com](mailto:info@celestiallighting.com)

14009 Dinard Ave.  
 Santa Fe Springs,  
 CA 90670

PH (562)•802•8811  
 (800)•233•3563  
 FX (562)•802•2882