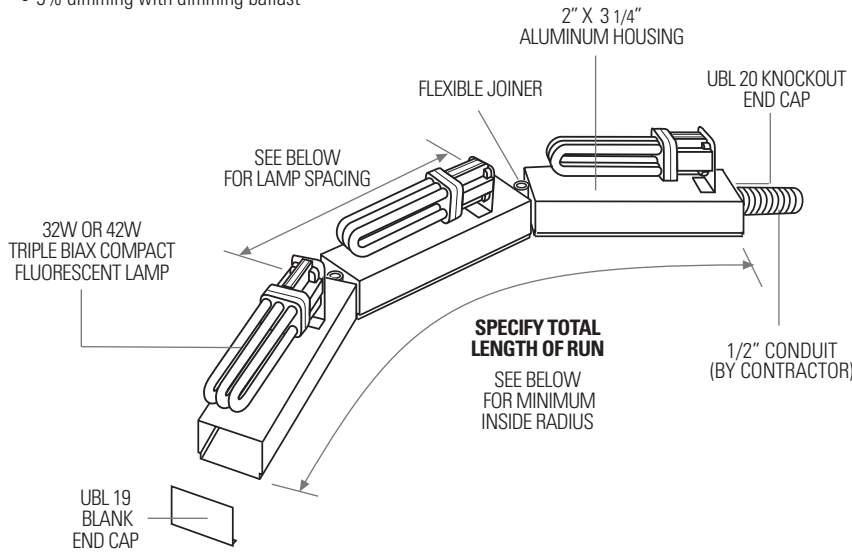




UBL 5000 CFX-TBX

- Ideal for indirect lighting in curved spaces
- Uses clustered compact fluorescent lamps for maximum lumens per foot
- Listed for damp location
- 5% dimming with dimming ballast



LAMP SELECTION

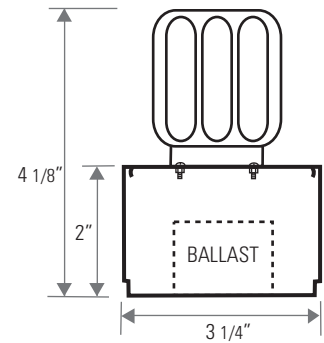
TYPE : COMPACT FLUORESCENT
 BRANDS : GE "TRIPLE BIAx," PHILIPS "PL-T," OSRAM "DULUX-T/E"

WATTS	LENGTH	BASE	RATED HRS.	LUMENS	COLOR TEMP.	CRI
32W	5.5"	GX24q-3	10000-12000	2200-2400	2700-4100	82
42W	6.4"	GX24q-4	10000-12000	3200	2700-4100	82

Refer to lamp manufacturers' catalog for full selection and details.

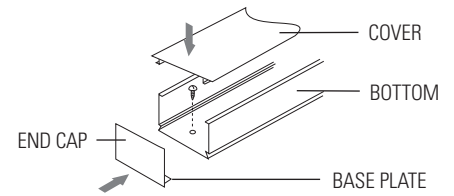
LAMPS NOT INCLUDED

END VIEW



QUICK REFERENCE INSTALLATION INSTRUCTIONS

1. Remove cover piece from module, by removing screws and using flathead screwdriver to pry open.
2. Screw mount bottom piece directly onto secure surface.
3. Snap cover piece into bottom piece and replace screws.
4. To continue run, attach and mount next module and make electrical connections.
5. Attach end caps at beginning and end of run, sliding base plate into bottom piece and securing with screw.
6. Connect lead wires at beginning of run to power source and ground. Do not power until installation complete.
7. Insert lamps.



SPECIFICATIONS

PRODUCT CODE	LAMP WATTAGE & SPACING		BALLAST LOCATION	BALLAST TYPE		DIMMING		VOLTS	FINISH		
	WATTS	SPACING		ELE	TYPE	ND	DM		NAL	SAT	WHT
UBL 5000 CFX-TBX	32 W	8" on center (19" minimum inside radius)	I	Integral	ELE	Electronic	ND	Non-dimming	120 V	NAL	Natural aluminum
	42 W	9" on center (21" minimum inside radius)								SAT	Anodized satin
										WHT	High reflectance white powder coat
										Or specify other	

EXAMPLE

UBL 5000 CFX-TBX	-	32 W	-	8" o.c.	-	I	-	ELE	-	ND	-	120V	-	NAL
------------------	---	------	---	---------	---	---	---	-----	---	----	---	------	---	-----

FILL OUT BELOW FOR SUBMITTAL

UBL 5000 CFX-TBX	-		-		-	I	-	ELE	-		-		-	
------------------	---	--	---	--	---	---	---	-----	---	--	---	--	---	--

PROJECT NAME	SPECIFIER
FIXTURE SCHED. TYPE	CONTRACTOR
QUANTITY	DISTRIBUTOR
LENGTHS	REPRESENTATIVE



visit us at :
www.celestiallighting.com
 e-mail :
info@celestiallighting.com

14009 Dinard Ave.
 Santa Fe Springs,
 CA 90670

PH (562)•802•8811
 (800)•233•3563
 FX (562)•802•2882