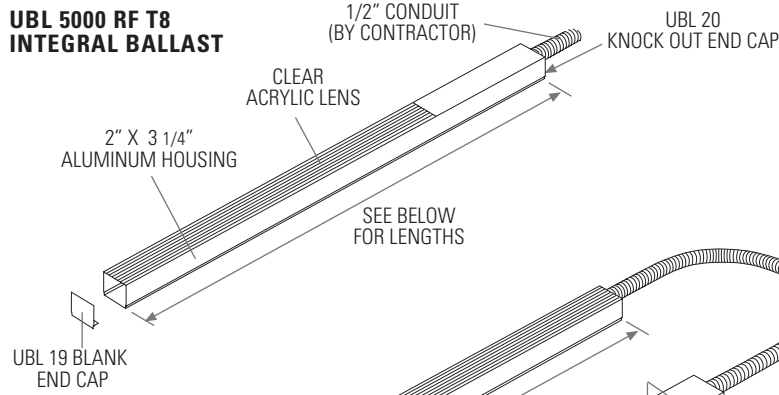
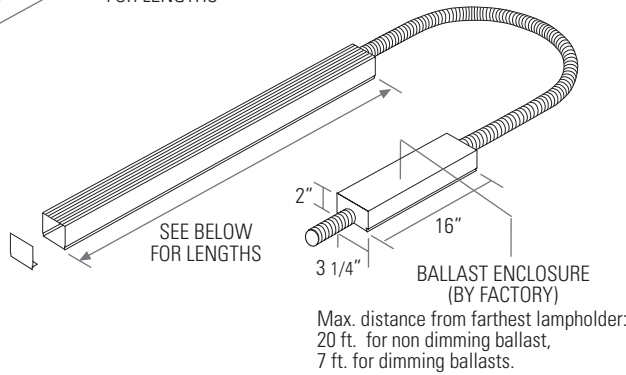




**UBL 5000 RF T8 INTEGRAL BALLAST**



**UBL 5000 RF T8 REMOTE BALLAST**



**SPECIFY 1 OR 2 LAMP FIXTURE**

**LAMP SELECTION**

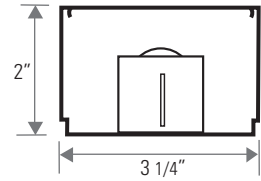
TYPE : T8 LINEAR FLUORESCENT

- Ideal for task lighting
- Listed for damp location
- 10% dimming with standard dimming ballasts (consult factory for 1% dimming)

WATTS	LENGTH	RATED HRS.	LUMENS	COLOR TEMP.	CRI
17W	24"	20000-24000	910 - 1400	3000-6500	75 - 98
25W	36"	20000-24000	1550 - 2225	3000-6500	75 - 98
32W	48"	20000-24000	2000 - 3100	3000-6500	75 - 98

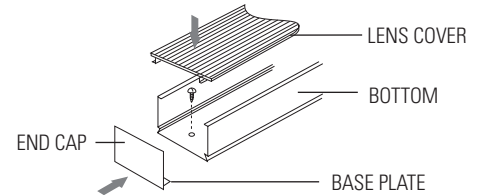
Refer to lamp manufacturers' catalog for full selection and details.  
**LAMPS NOT INCLUDED**

**END VIEW**



**QUICK REFERENCE INSTALLATION INSTRUCTIONS**

1. Remove lens cover, using flathead screwdriver to pry open.
2. Screw mount bottom piece directly onto secure surface.
3. Snap lens cover into bottom piece.
4. To continue run, align and mount bottom piece of next section, end to end, and make electrical connections. Snap in lens cover.
5. Attach end caps at beginning and end of run, sliding base plate into bottom piece and securing with screw.
6. Connect lead wires at beginning of run to power source and ground. Do not power until installation complete.
7. Insert lamps.



**S P E C I F I C A T I O N S**

PRODUCT CODE	LAMP WATTAGE	LAMPS PER FIXTURE & LENGTHS				BALLAST LOCATION	BALLAST TYPE		DIMMING		VOLTS	FINISH	
		1 Lamp (1L)		2 Lamps (2L)			ELE	Electronic	ND	Non-dimming		NAL	Natural aluminum
		INTEGRAL	REMOTE	INTEGRAL	REMOTE								
UBL 5000 RF-T8	17W	38"	26"	62"	50"	I R				120 V	WHT	High reflectance white powder coat	
	25W	50"	38"	86"	74"								
	32W	62"	50"	110"	98"								

**EXAMPLE**

UBL 5000 RF-T8	32 W	1L	I	ELE	ND	120 V	NAL
----------------	------	----	---	-----	----	-------	-----

**FILL OUT BELOW FOR SUBMITTAL**

UBL 5000 RF-T8				ELE			
----------------	--	--	--	-----	--	--	--

<b>PROJECT NAME</b>	<b>SPECIFIER</b>
<b>FIXTURE SCHED. TYPE</b>	<b>CONTRACTOR</b>
<b>QUANTITY</b>	<b>DISTRIBUTOR</b>
<b>LENGTHS</b>	<b>REPRESENTATIVE</b>



visit us at :  
www.celestiallighting.com  
e-mail :  
info@celestiallighting.com

14009 Dinard Ave.  
Santa Fe Springs,  
CA 90670

PH (562)•802•8811  
(800)•233•3563  
FX (562)•802•2882