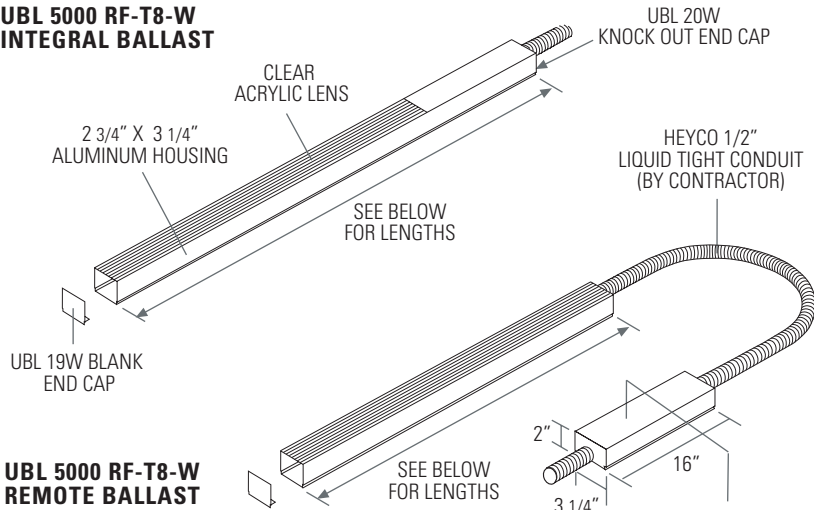
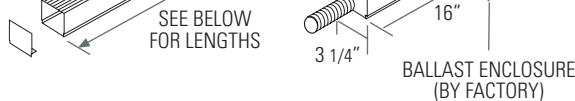




UBL 5000 RF-T8-W INTEGRAL BALLAST



UBL 5000 RF-T8-W REMOTE BALLAST



SPECIFY 1 OR 2 LAMP FIXTURE

LAMP SELECTION
TYPE : T8 LINEAR FLUORESCENT

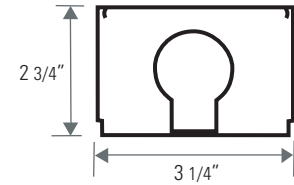
- Ideal for task lighting
- Listed for wet location
- 10% dimming with standard dimming ballasts (consult factory for 1% dimming)

WATTS	LENGTH	RATED HRS.	LUMENS	COLOR TEMP.	CRI
17W	24"	20000- 24000	910 - 1400	3000-6500	75 - 98
25W	36"	20000- 24000	1550 - 2225	3000-6500	75 - 98
32W	48"	20000- 24000	2000 - 3100	3000-6500	75 - 98

Refer to lamp manufacturers' catalog for full selection and details.

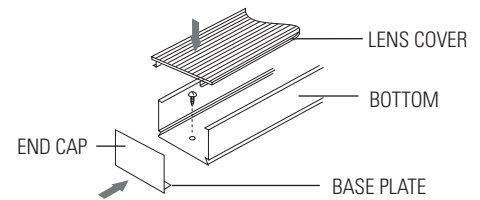
LAMPS NOT INCLUDED

END VIEW



QUICK REFERENCE INSTALLATION INSTRUCTIONS

1. Remove lens cover, using flathead screwdriver to pry open.
2. Screw mount bottom piece directly onto secure surface.
3. Snap lens cover into bottom piece.
4. To continue run, align and mount bottom piece of next section, end to end, and make electrical connections. Snap in lens cover.
5. Attach end caps at beginning and end of run, sliding base plate into bottom piece and securing with screw.
6. Connect lead wires at beginning of run to power source and ground. Do not power until installation complete.
7. Insert lamps.



SPECIFICATIONS

PRODUCT CODE	LAMP WATTAGE	LAMPS PER FIXTURE & LENGTHS				BALLAST LOCATION	BALLAST TYPE	DIMMING	VOLTS	FINISH		COLOR SLEEVE	
		1 Lamp (1L)		2 Lamps (2L)						W	Y		
		INTEGRAL	REMOTE	INTEGRAL	REMOTE								
UBL 5000 RF-T8-W	17W	39"	27"	63.5"	51.5"	I R	ELE Electronic	ND DM	120 V 277 V	SAT	Anodized satin	W	No sleeve
	25W	51"	39"	87.5"	75.5"					WHT	High reflectance white powder coat	B	Blue
	32W	63"	51"	111.5"	99.5"							G	Green
												R	Red
												Y	Yellow
										Or specify other			

EXAMPLE

UBL 5000 RF-T8-W	32 W	1L	I	ELE	ND	120 V	SAT	W
------------------	------	----	---	-----	----	-------	-----	---

FILL OUT BELOW FOR SUBMITTAL

UBL 5000 RF-T8-W				ELE				
------------------	--	--	--	-----	--	--	--	--

PROJECT NAME	SPECIFIER
FIXTURE SCHED. TYPE	CONTRACTOR
QUANTITY	DISTRIBUTOR
LENGTHS	REPRESENTATIVE



visit us at :
www.celestiallighting.com
e-mail :
info@celestiallighting.com

14009 Dinard Ave.
Santa Fe Springs,
CA 90670

PH (562)•802•8811
(800)•233•3563
FX (562)•802•2882