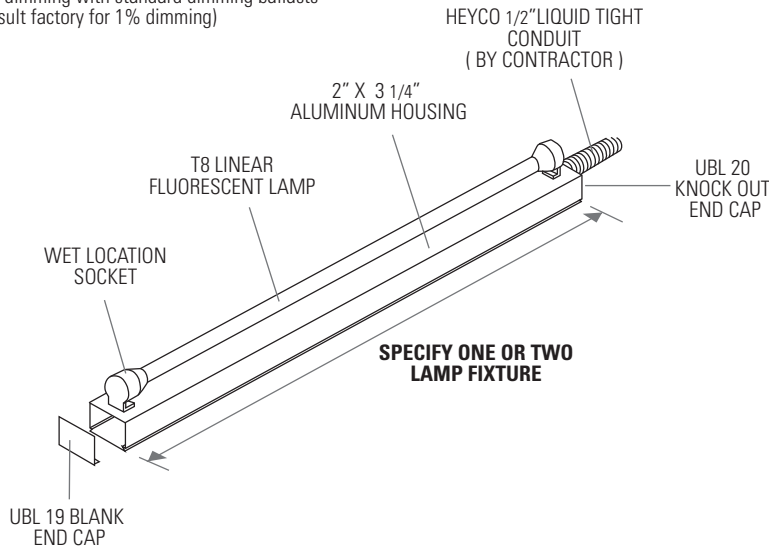




**UBL 5000 TF-T8-W**

- Ideal for task or indirect lighting
- Listed for wet location
- 10% dimming with standard dimming ballasts (consult factory for 1% dimming)



**SPECIFY ONE OR TWO LAMP FIXTURE**

**LAMP SELECTION**

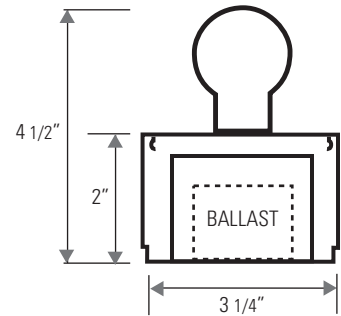
TYPE : T8 LINEAR FLUORESCENT

WATTS	LENGTH	RATED HRS.	LUMENS	COLOR TEMP.	CRI
17W	24"	20000-24000	910 - 1400	3000-6500	75 - 98
25W	36"	20000-24000	1550 - 2225	3000-6500	75 - 98
32W	48"	20000-24000	2000 - 3100	3000-6500	75 - 98

Refer to lamp manufacturers' catalog for full selection and details.

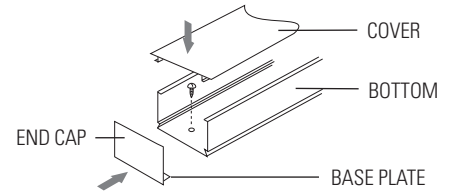
**LAMPS NOT INCLUDED**

**END VIEW**



**QUICK REFERENCE INSTALLATION INSTRUCTIONS**

1. Remove cover piece, using flathead screwdriver to pry open.
2. Screw mount bottom piece directly onto secure surface.
3. Snap cover piece into bottom piece.
4. To continue run, align and mount bottom piece of next section, end to end, and make electrical connections. Snap in cover piece.
5. Attach end caps at beginning and end of run, sliding base plate into bottom piece and securing with screw.
6. Connect lead wires at beginning of run to power source and ground. Do not power until installation complete.
7. Insert lamps.



**S P E C I F I C A T I O N S**

PRODUCT CODE	LAMP WATTAGE	LAMPS PER FIXTURE & LENGTHS		BALLAST LOCATION	BALLAST TYPE		DIMMING	VOLTS	FINISH		COLOR SLEEVE		
		1 Lamp (1L)	2 Lamps (2L)		ELE	Electronic			SAT	Anodized satin	W	No sleeve	
UBL 5000 TF-T8-W	17 W	25"	49.5"	I	Integral	ELE	Electronic	ND	120 V	SAT	Anodized satin	W	No sleeve
	25 W	37"	73.5"									B	Blue
	32 W	49"	97.5"									G	Green
												R	Red
												Y	Yellow
										Or specify other			

**EXAMPLE**

UBL 5000 TF-T8-W	32 W	1L	I	ELE	ND	120 V	SAT	W
------------------	------	----	---	-----	----	-------	-----	---

**FILL OUT BELOW FOR SUBMITTAL**

UBL 5000 TF-T8-W			I	ELE				
------------------	--	--	---	-----	--	--	--	--

<b>PROJECT NAME</b>	<b>SPECIFIER</b>
<b>FIXTURE SCHED. TYPE</b>	<b>CONTRACTOR</b>
<b>QUANTITY</b>	<b>DISTRIBUTOR</b>
<b>LENGTHS</b>	<b>REPRESENTATIVE</b>



visit us at :  
www.celestiallighting.com  
e-mail :  
info@celestiallighting.com

14009 Dinard Ave.  
Santa Fe Springs,  
CA 90670

PH (562)•802•8811  
(800)•233•3563  
FX (562)•802•2882